









ASSEMBLY INSTRUCTION

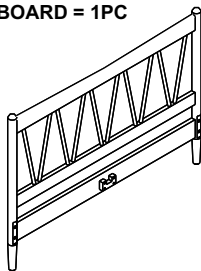
UTH30- 5'0" HIGH FOOT END BED

HARDWARE LIST

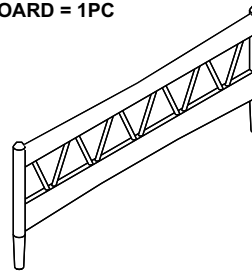
NO	HARDWARE NAME	IMAGE	QTY (PCS)
1	NUTS M8*13		8 PCS
2	HALF MOON WASHER M8		8 PCS
3	SPRING WASHER M8/Ø14		8 PCS
4	SPANNER 13		1 PCS
5	ALLEN KEY M4		1 PC
6	METAL THREAD M8*70		8 PCS
7	BOLT M6*35		1 PC
8	SCREW 4*30		28 PCS

PART LIST

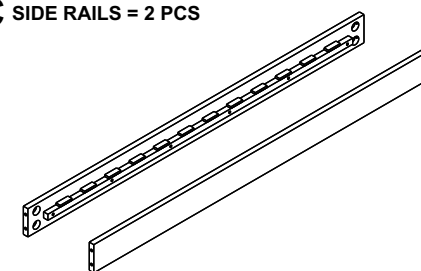
A HEADBOARD = 1PC



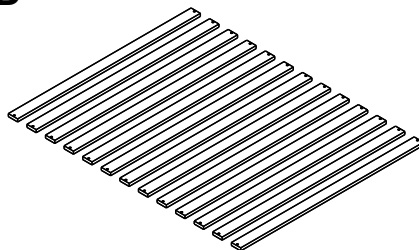
B FOOTBOARD = 1PC



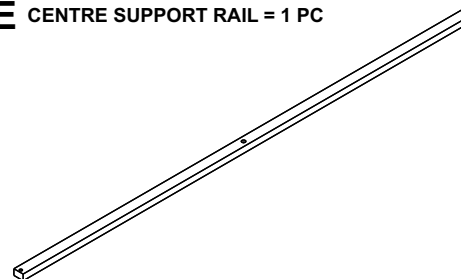
C SIDE RAILS = 2 PCS



D SLATS = 13 PCS



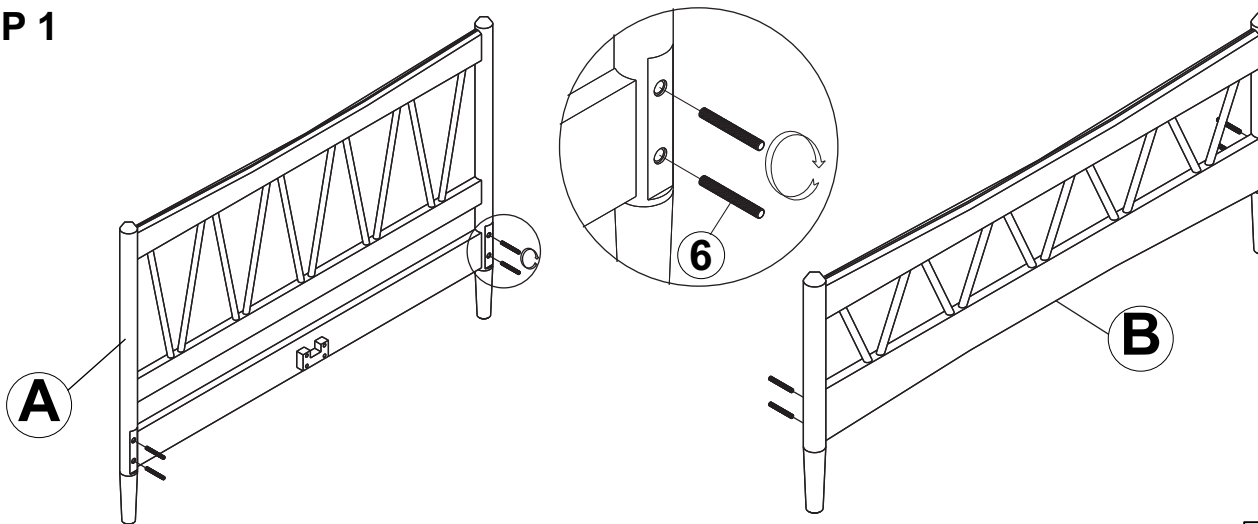
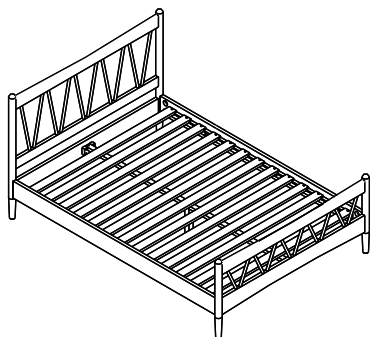
E CENTRE SUPPORT RAIL = 1 PC



F CENTRE LEGS = 1 PC



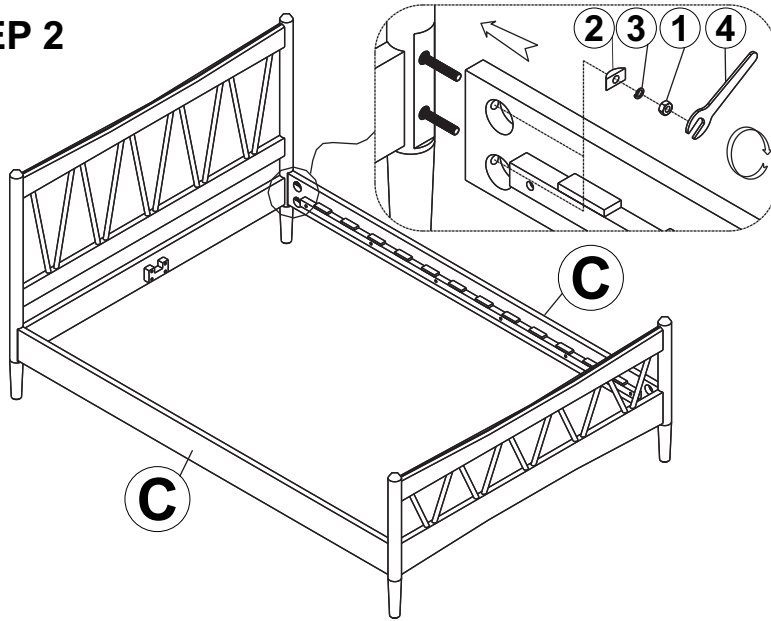
STEP 1



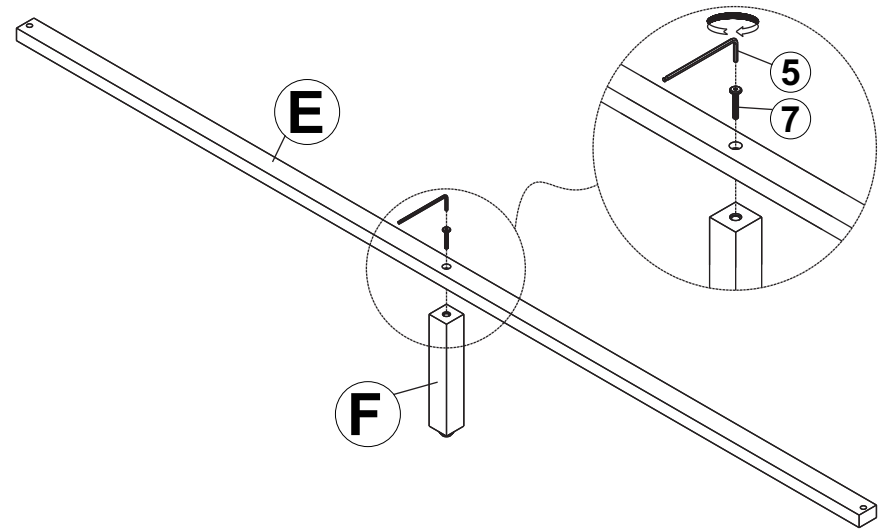
ASSEMBLY INSTRUCTION

UTH30- 5'0" HIGH FOOT END BED

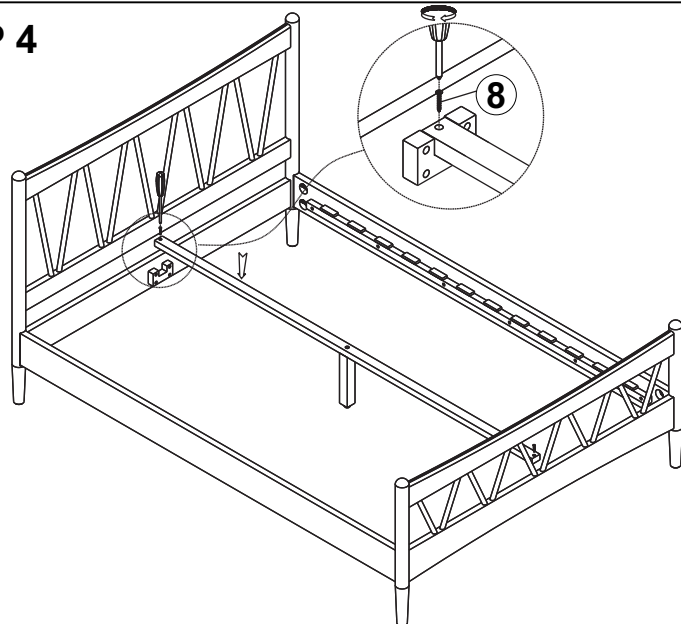
STEP 2



STEP 3



STEP 4



STEP 5

